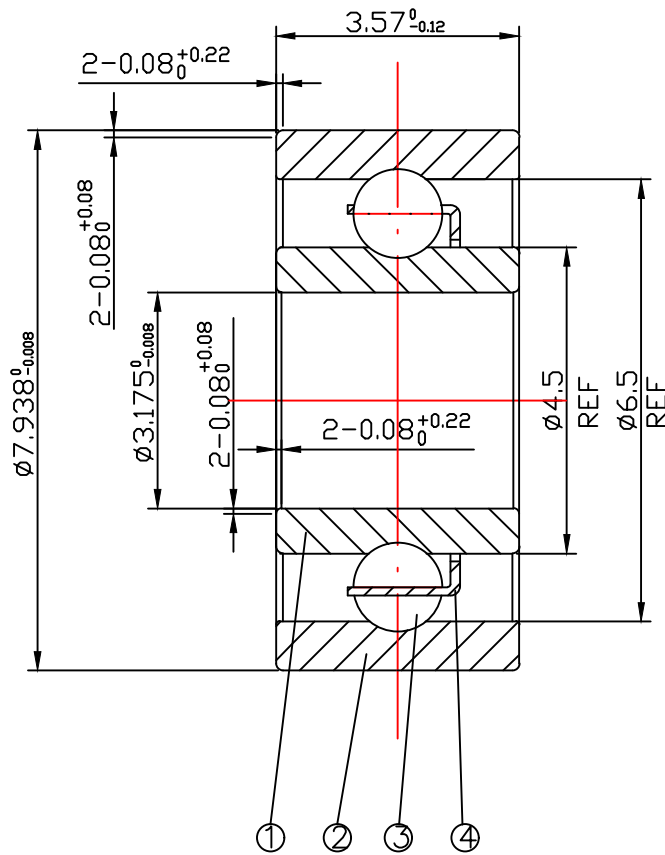


DRAWING

CUSTOMER :

accept stamp



issue stamp

BRAND: ZHY

ALL DIMENSIONS: mm

MARKER	PLACES	BEFORE	REVISER	REVISION DATE

NOTIONS:

NO.	PARTS	MATERIAL	QUANTITY	REMARKS
1	INNER RING	GCr15	1	
2	OUTER RING	GCr15	1	
3	BALLS	GCr15	7- $\phi$ 1.3	
4	RETAINER	Ocr19Ni10	1	

LOAD RATING STATIC: COr: 156 N

LOAD RATING DYNAMIC: Cr: 452 N

RADIAL PLAY:  
C0: 0.002-0.013

TOLERANCES: ABEC-1

CUSTOMER SIZE:

SIZE:  
R2-5庄宏亿  
2024-7-9  
陈晶晶庄宏亿  
2024-7-9  
陈丹央庄宏亿  
2024-7-9  
周宝君

DRAWING NO. : QAJ/TR24354

draw

check

approved

DATE:

Jul.9,2024

**ZHY** NINGBO CHUANG HON YI BEARING CO.,LTD.