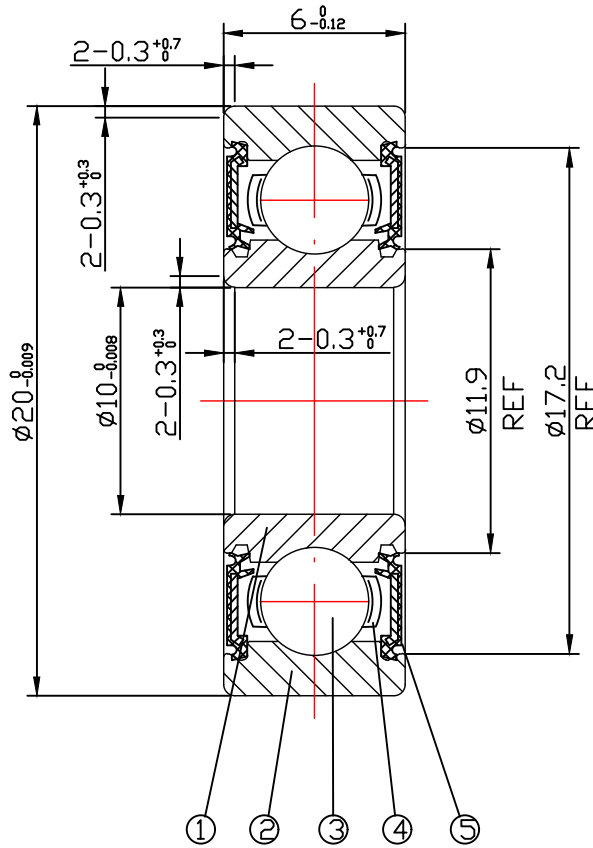


DRAWING

CUSTOMER :

accept stamp



issue stamp

BRAND: ZHY

ALL DIMENSIONS: mm

NOTIONS:

MARKER	PLACES	BEFORE	REVISER	REVISION DATE

NO.	PARTS	MATERIAL	QUANTITY	REMARKS
1	INNER RING	GCr15	1	
2	OUTER RING	GCr15	1	
3	BALLS	GCr15	9- ϕ 2.381	
4	RETAINER	SPCC	1	
5	SEAL	NBR	2	

LOAD RATING STATIC:	COr: 760N
LOAD RATING DYNAMIC:	Cr: 1590 N
RADIAL PLAY:	C0: 0.002-0.013
TOLERANCES:	ABEC-1
CUSTOMER SIZE:	
SIZE:	MR2010-2RS
DRAWING NO. :	QAJ/TR24158
ZHY NINGBO CHUANG HON YI BEARING CO.,LTD.	

庄宏亿
2024-5-18
陈晶晶

庄宏亿
2024-5-18
陈丹央

庄宏亿
2024-5-18
周宝君

draw

check

approved

DATE:

May.18,2024