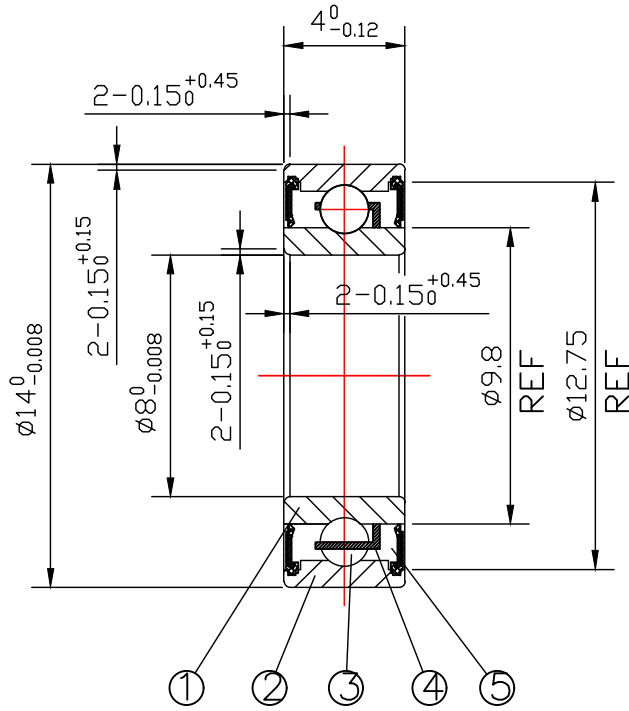


DRAWING

CUSTOMER :

accept stamp



issue stamp

BRAND: ZHY

ALL DIMENSIONS: mm

NOTIONS:

MARKER	PLACES	BEFORE	REVISER	REVISION DATE

NO.	PARTS	MATERIAL	QUANTITY	REMARKS
1	INNER RING	GCr15	1	
2	OUTER RING	GCr15	1	
3	BALLS	GCr15	9-ø1.588	
4	RETAINER	Ocr19Ni10	1	
5	SHIELD	NBR	2	

LOAD RATING STATIC: COr: 350N

LOAD RATING DYNAMIC: Cr: 760 N

RADIAL PLAY: C0: 0.002-0.013

TOLERANCES: ABEC-1

CUSTOMER SIZE:

SIZE: MR148-2RS

庄宏亿  
2024-5-18  
陈晶晶

庄宏亿  
2024-5-18  
陈丹央

庄宏亿  
2024-5-18  
周宝君

DRAWING NO. : QAJ/TR24156

draw

check

approved

DATE: May.18,2024

**ZHY** NINGBO CHUANG HON YI BEARING CO.,LTD.