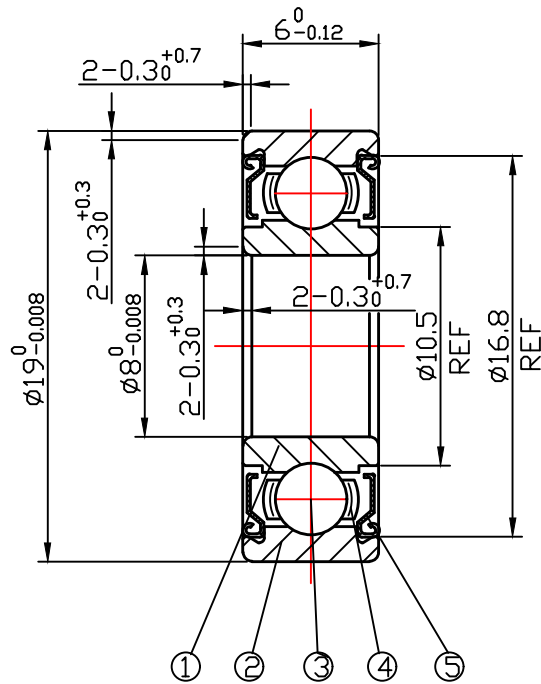


DRAWING

CUSTOMER :

accept stamp



issue stamp

BRAND: ZHY

ALL DIMENSIONS: mm

MARKER	PLACES	BEFORE	REVISER	REVISION DATE

NOTIONS:

NO.	PARTS	MATERIAL	QUANTITY	REMARKS
1	INNER RING	GCr15	1	
2	OUTER RING	GCr15	1	
3	BALLS	GCr15	7- $\phi 3.175$	
4	RETAINER	SPCC	1	
5	SHIELD	SPTE	2	

LOAD RATING STATIC: COr: 917 N

LOAD RATING DYNAMIC: Cr: 2240 N

RADIAL PLAY:  
C0: 0.002-0.013

TOLERANCES: ABEC-1

CUSTOMER SIZE:

SIZE:  
698ZZ庄宏亿  
2023-11-13  
陈晶晶庄宏亿  
2023-11-13  
陈丹央庄宏亿  
2023-11-13  
周宝君

DRAWING NO. : QAJ/TR23288

draw

check

approved

DATE: Nov.13,2023

**ZHY** NINGBO CHUANG HON YI BEARING CO.,LTD.