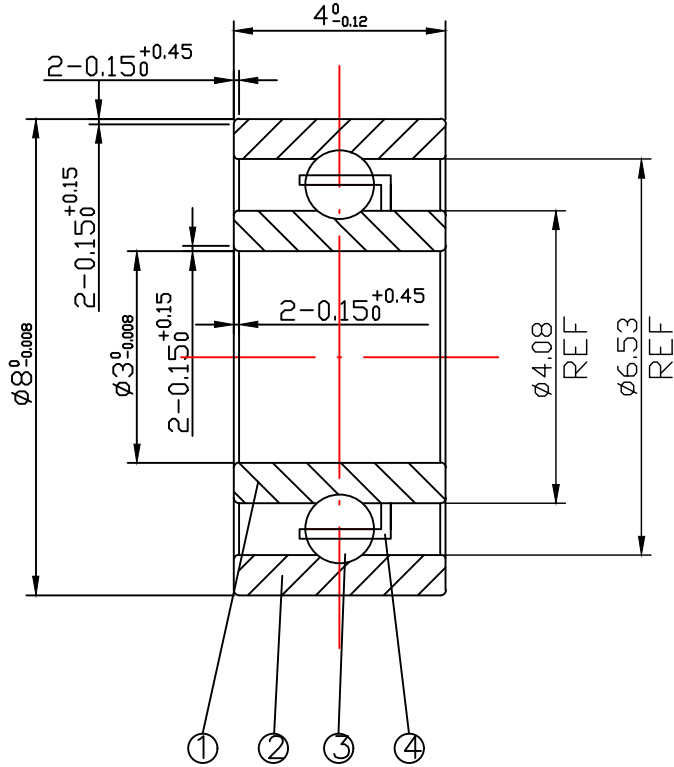


DRAWING

CUSTOMER :

accept stamp



issue stamp

BRAND: ZHY

ALL DIMENSIONS: mm

NOTIONS:

MARKER	PLACES	BEFORE	REVISER	REVISION DATE

NO.	PARTS	MATERIAL	QUANTITY	REMARKS
1	INNER RING	GCr15	1	
2	OUTER RING	GCr15	1	
3	BALLS	GCr15	6- $\phi 1.588$	
4	RETAINER	06Cr19Ni10	1	

LOAD RATING STATIC: COr: 175 N

LOAD RATING DYNAMIC: Cr: 553 N

RADIAL PLAY: C0: 0.002-0.013

TOLERANCES: ABEC-1

CUSTOMER SIZE:

SIZE: 693

庄宏亿
2024-7-8
陈晶晶

庄宏亿
2024-7-8
陈丹央

庄宏亿
2024-7-8
周宝君

DRAWING NO. : QAJ/TR24322

draw

check

approved

DATE: Jul.8,2024

ZHY NINGBO CHUANG HON YI BEARING CO.,LTD.