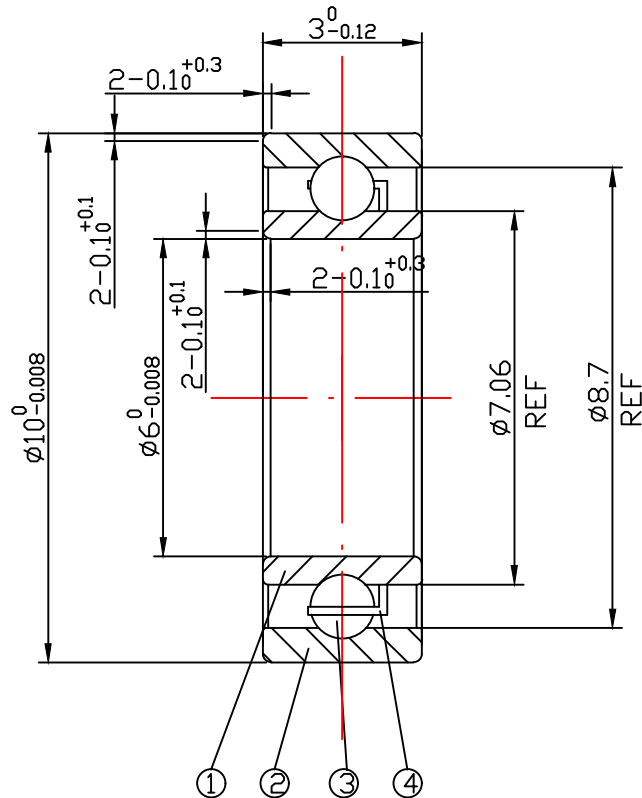


DRAWING

CUSTOMER:

accept stamp



issue stamp

BRAND: ZHY

ALL DIMENSIONS: mm

MARKER PLACES	BEFORE	REVISER	REVISION DATE

NOTIONS:

NO.	PARTS	MATERIAL	QUANTITY	REMARKS
1	INNER RING	GCr15	1	
2	OUTER RING	GCr15	1	
3	BALLS	GCr15	9- $\phi$ 1.200	
4	RETAINER	06Cr19Ni10	1	

LOAD RATING STATIC: COr: 197 N

LOAD RATING DYNAMIC: Cr: 463 N

RADIAL PLAY:  
C0 0.002-0.013

TOLERANCES: ABEC-1

SIZE: 676

DRAWING NO. : QAJ/TR24295

庄宏亿  
2024-7-4  
陈晶晶

庄宏亿  
2024-7-4  
陈丹央

庄宏亿  
2024-7-4  
周宝君

draw

check

approved

ZHY

NINGBO CHUANG HON YI BEARING CO.,LTD.

DATE:

Jul.4,2024