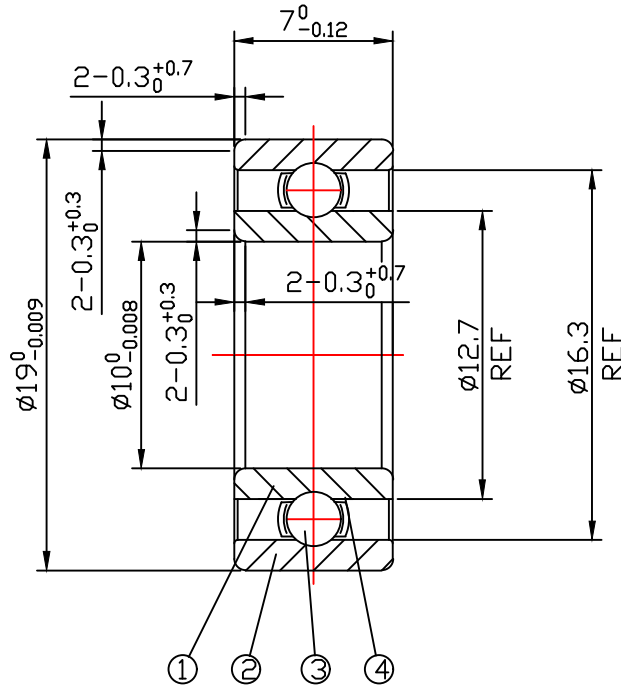


DRAWING

CUSTOMER :

accept stamp



issue stamp

BRAND: ZHY

ALL DIMENSIONS: mm

| MARKER | PLACES | BEFORE | REVISER | REVISION DATE |
|--------|--------|--------|---------|---------------|
| | | | | |
| | | | | |
| | | | | |

NOTIONS:

| NO. | PARTS | MATERIAL | QUANTITY | REMARKS |
|-----|------------|----------|----------|---------|
| 1 | INNER RING | GCr15 | 1 | |
| 2 | OUTER RING | GCr15 | 1 | |
| 3 | BALLS | GCr15 | 9-ø2.381 | |
| 4 | RETAINER | SPCC | 1 | |

LOAD RATING STATIC: COr: 760 N

LOAD RATING DYNAMIC: Cr: 1590 N

RADIAL PLAY: C0: 0.002-0.013

TOLERANCES: ABEC-1

CUSTOMER SIZE:

SIZE: 63800

庄宏亿
2024-7-10
陈晶晶

庄宏亿
2024-7-10
陈丹丹

庄宏亿
2024-7-10
周宝君

DRAWING NO. : QAJ/TR24400

draw

check

approved

DATE:

Jul.10,2024

ZHY NINGBO CHUANG HON YI BEARING CO.,LTD.