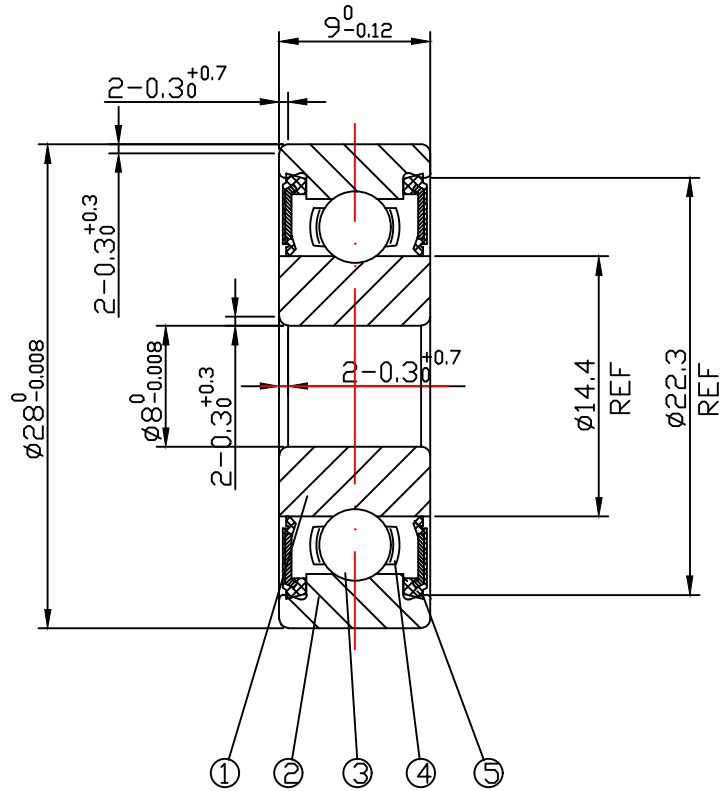


DRAWING

CUSTOMER :

accept stamp



issue stamp

BRAND: ZHY

ALL DIMENSIONS: mm

NOTIONS:

| MARKER | PLACES | BEFORE | REVISER | REVISION DATE |
|--------|--------|--------|---------|---------------|
|        |        |        |         |               |
|        |        |        |         |               |
|        |        |        |         |               |

| NO. | PARTS      | MATERIAL | QUANTITY        | REMARKS |
|-----|------------|----------|-----------------|---------|
| 1   | INNER RING | GCr15    | 1               |         |
| 2   | OUTER RING | GCr15    | 1               |         |
| 3   | BALLS      | GCr15    | 7- $\phi$ 4.763 |         |
| 4   | RETAINER   | SPCC     | 1               |         |
| 5   | SEAL       | NBR      | 2               |         |

LOAD RATING STATIC: COr: 1950 N

LOAD RATING DYNAMIC: Cr: 4550 N

RADIAL PLAY:  
C0: 0.002-0.013

TOLERANCES: ABEC-1

CUSTOMER SIZE:

SIZE:  
638-2RS

DRAWING NO. : QAJ/TR24087

庄宏亿  
2024-5-11  
陈晶晶

庄宏亿  
2024-5-11  
陈丹央

庄宏亿  
2024-5-11  
周宝君

draw

check

approved

DATE:

May.11,2024

ZHY NINGBO CHUANG HON YI BEARING CO.,LTD.