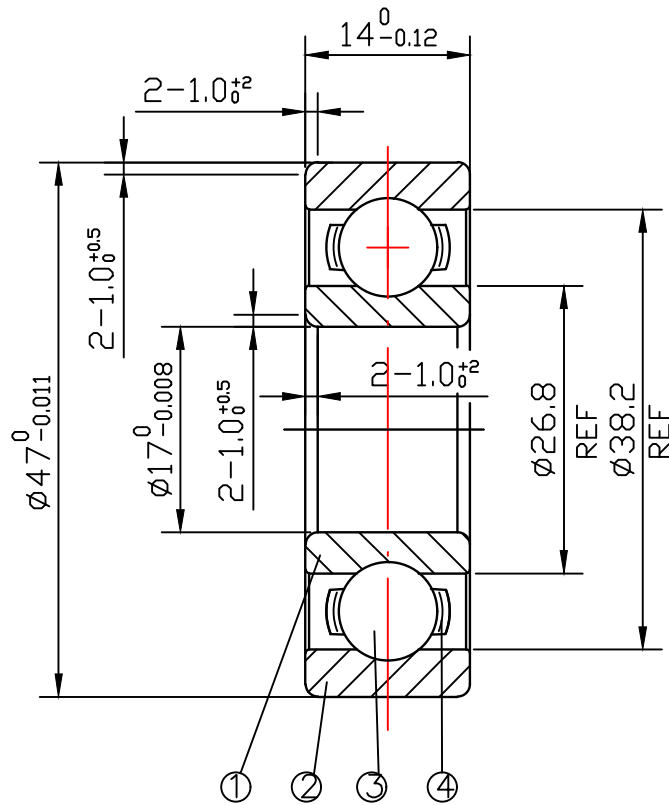


DRAWING

CUSTOMER :

accept stamp



issue stamp

BRAND: ZHY

ALL DIMENSIONS: mm

NOTIONS:

MARKER	PLACES	BEFORE	REVISER	REVISION DATE

NO.	PARTS	MATERIAL	QUANTITY	REMARKS	LOAD RATING STATIC: COr: 6560 N
1	INNER RING	GCr15	1		LOAD RATING DYNAMIC: Cr: 13560 N
2	OUTER RING	GCr15	1		RADIAL PLAY: C0: 0.003-0.018
3	BALLS	GCr15	7- $\phi 8.731$		TOLERANCES: ABEC-1
4	RETAINER	SPCC	1		CUSTOMER SIZE:
					SIZE: 6303
					DRAWING NO. : QAJ/TR24288
					ZHY NINGBO CHUANG HON YI BEARING CO.,LTD.

庄宏亿
2024-7-4
陈晶晶

庄宏亿
2024-7-4
陈丹央

庄宏亿
2024-7-4
周宝君

draw

check

approved

DATE:

Jul.4,2024