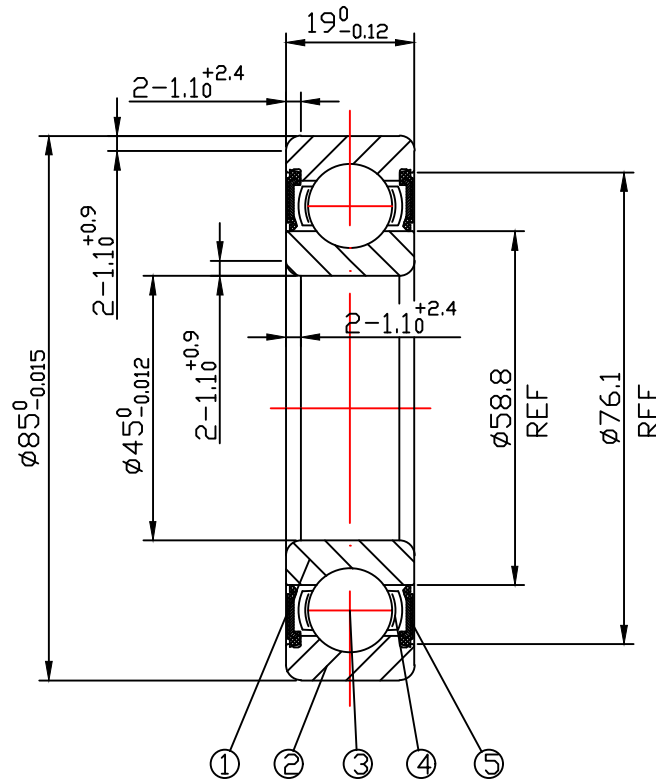


DRAWING

CUSTOMER :

accept stamp



issue stamp

BRAND: ZHY

ALL DIMENSIONS: mm

NOTIONS:

| MARKER | PLACES | BEFORE | REVISER | REVISION DATE |
|--------|--------|--------|---------|---------------|
| | | | | |
| | | | | |
| | | | | |

| NO. | PARTS | MATERIAL | QUANTITY | REMARKS |
|-----|------------|----------|-------------------|---------|
| 1 | INNER RING | GCr15 | 1 | |
| 2 | OUTER RING | GCr15 | 1 | |
| 3 | BALLS | GCr15 | 10- $\phi 12.000$ | |
| 4 | RETAINER | SPCC | 1 | |
| 5 | SEAL | NBR | 2 | |

LOAD RATING STATIC: COr: 20730 N

LOAD RATING DYNAMIC: Cr: 31660 N

RADIAL PLAY:
C0: 0.006-0.023

TOLERANCES: ABEC-1

CUSTOMER SIZE:

SIZE:
6209-2RS

DRAWING NO. : QAJ/TR24077

庄宏亿
2024-5-10
陈晶晶

庄宏亿
2024-5-10
陈丹央

庄宏亿
2024-5-10
周宝君

draw

check

approved

DATE:

May.10,2024

ZHY NINGBO CHUANG HON YI BEARING CO.,LTD.