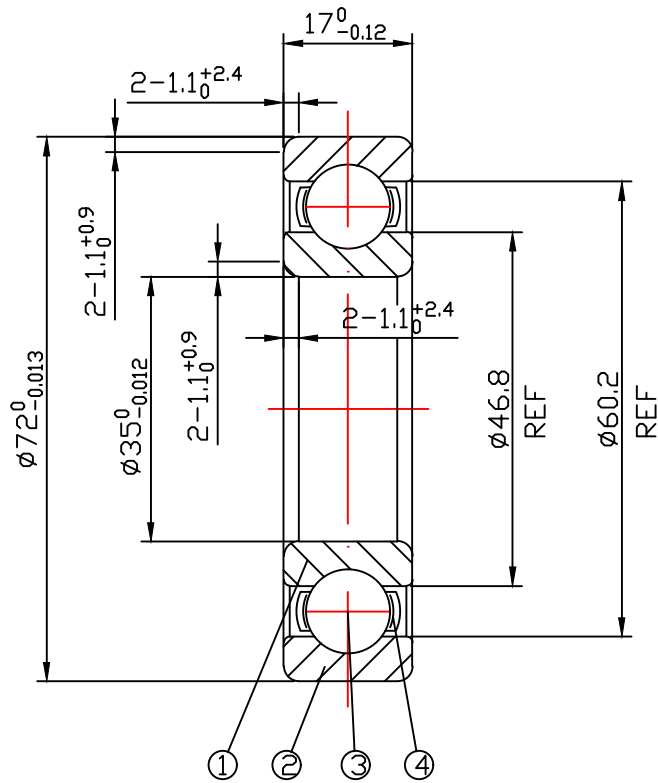


DRAWING

CUSTOMER :

accept stamp



issue stamp

BRAND: ZHY

ALL DIMENSIONS: mm

NOTIONS:

MARKER	PLACES	BEFORE	REVISER	REVISION DATE

NO.	PARTS	MATERIAL	QUANTITY	REMARKS
1	INNER RING	GCr15	1	
2	OUTER RING	GCr15	1	
3	BALLS	GCr15	9- $\phi 11.112$	
4	RETAINER	SPCC	1	

LOAD RATING STATIC: COr: 15220 N

LOAD RATING DYNAMIC: Cr: 25650 N

RADIAL PLAY:

C0: 0.006-0.020

TOLERANCES: ABEC-1

CUSTOMER SIZE:

SIZE:

6207

DRAWING NO. : QAJ/TR24264

draw

check

approved

DATE:

Jul.3,2024

ZHY NINGBO CHUANG HON YI BEARING CO.,LTD.