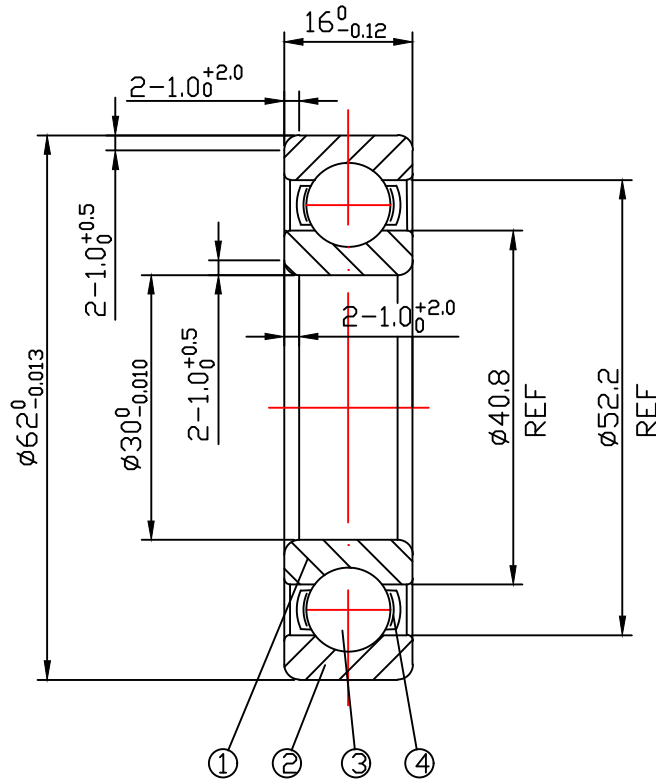


DRAWING

CUSTOMER :

accept stamp



issue stamp

BRAND: ZHY

ALL DIMENSIONS: mm

MARKER	PLACES	BEFORE	REVISER	REVISION DATE

NOTIONS:

NO.	PARTS	MATERIAL	QUANTITY	REMARKS
1	INNER RING	GCr15	1	
2	OUTER RING	GCr15	1	
3	BALLS	GCr15	9- $\phi 9.525$	
4	RETAINER	SPCC	1	
LOAD RATING STATIC: COr: 11430 N				
LOAD RATING DYNAMIC: Cr: 19470 N				
RADIAL PLAY: C0: 0.005-0.020				
TOLERANCES: ABEC-1				
CUSTOMER SIZE:				
SIZE: 6206				
DRAWING NO. : QAJ/TR24263				
draw	check	approved		
DATE: Jul.3,2024				

庄宏亿
2024-7-3
陈晶晶

庄宏亿
2024-7-3
陈丹央

庄宏亿
2024-7-3
周宝君

ZHY NINGBO CHUANG HON YI BEARING CO.,LTD.