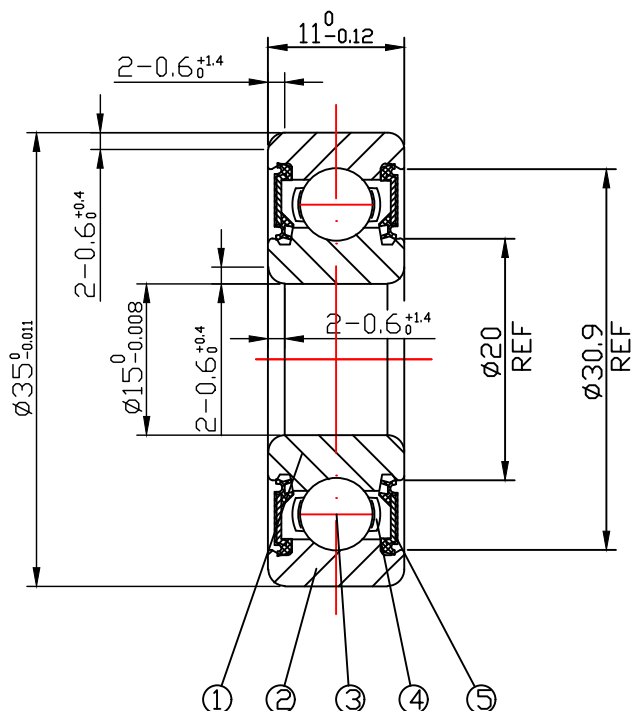


DRAWING

CUSTOMER :

accept stamp



issue stamp

BRAND: ZHY

ALL DIMENSIONS: mm

MARKER	PLACES	BEFORE	REVISER	REVISION DATE

NOTIONS:

NO.	PARTS	MATERIAL	QUANTITY	REMARKS
1	INNER RING	GCr15	1	
2	OUTER RING	GCr15	1	
3	BALLS	GCr15	8- \varnothing 5.953	
4	RETAINER	SPCC	1	
5	SEAL	NBR	2	

LOAD RATING STATIC: COr: 3740 N

LOAD RATING DYNAMIC: Cr: 7640 N

RADIAL PLAY:
CO: 0.003-0.018

TOLERANCES: ABEC-1

CUSTOMER SIZE:

SIZE:
6202-2RS

庄宏亿
2024-4-30
陈晶晶

庄宏亿
2024-4-30
陈丹央

庄宏亿
2024-4-30
周宝君

DRAWING NO. : QAJ/TR24066

draw

check

approved

DATE:

Apr.30,2024

ZHY NINGBO CHUANG HON YI BEARING CO.,LTD.