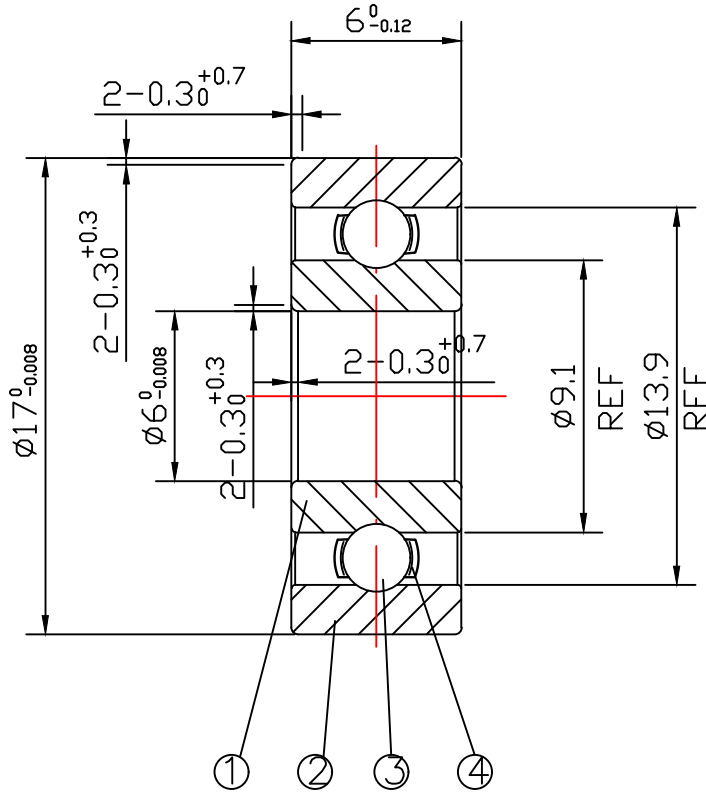


DRAWING

CUSTOMER :

accept stamp



issue stamp

BRAND: ZHY

ALL DIMENSIONS: mm

NOTIONS:

MARKER	PLACES	BEFORE	REVISER	REVISION DATE

NO.	PARTS	MATERIAL	QUANTITY	REMARKS
1	INNER RING	GCr15	1	
2	OUTER RING	GCr15	1	
3	BALLS	GCr15	6-Ø3.175	
4	RETAINER	SPCC	1	

LOAD RATING STATIC: COr: 732 N

LOAD RATING DYNAMIC: Cr: 1960 N

RADIAL PLAY: C0: 0.002-0.013

TOLERANCES: ABEC-1

CUSTOMER SIZE:

SIZE: 606

庄宏亿  
2024-6-28  
陈晶晶

庄宏亿  
2024-6-28  
陈丹央

庄宏亿  
2024-6-28  
周宝君

DRAWING NO. : QAJ/TR24234

draw

check

approved

DATE: Jun.28,2024

ZHY NINGBO CHUANG HON YI BEARING CO.,LTD.