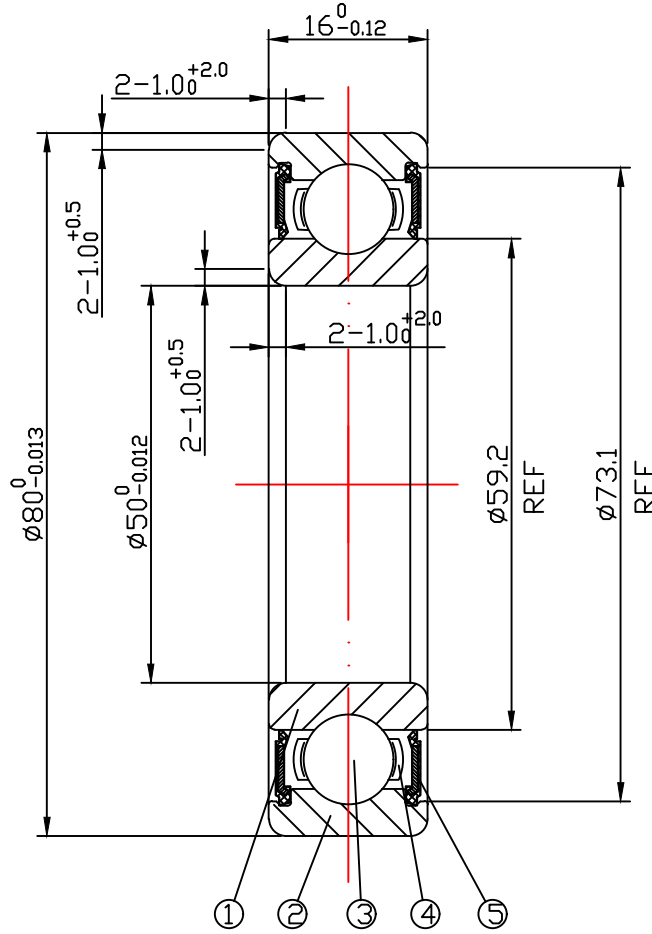


DRAWING

CUSTOMER :

accept stamp



issue stamp

BRAND: ZHY

ALL DIMENSIONS: mm

| MARKER | PLACES | BEFORE | REVISER | REVISION DATE |
|--------|--------|--------|---------|---------------|
|        |        |        |         |               |
|        |        |        |         |               |
|        |        |        |         |               |

NOTIONS:

| NO. | PARTS      | MATERIAL | QUANTITY         | REMARKS |
|-----|------------|----------|------------------|---------|
| 1   | INNER RING | GCr15    | 1                |         |
| 2   | OUTER RING | GCr15    | 1                |         |
| 3   | BALLS      | GCr15    | 13- $\phi 8.731$ |         |
| 4   | RETAINER   | SPCC     | 1                |         |
| 5   | SHIELD     | SPTe     | 2                |         |

LOAD RATING STATIC: COr: 15460 N

LOAD RATING DYNAMIC: Cr: 20670 N

RADIAL PLAY: C0: 0.006-0.023

TOLERANCES: ABEC-1

CUSTOMER SIZE:

SIZE: 6010-2RS

庄宏亿  
2024-4-26  
陈晶晶

庄宏亿  
2024-4-26  
陈丹央

庄宏亿  
2024-4-26  
周宝君

DRAWING NO. : QAJ/TR24050

draw

check

approved

DATE: Apr.26,2024

ZHY NINGBO CHUANG HON YI BEARING CO.,LTD.