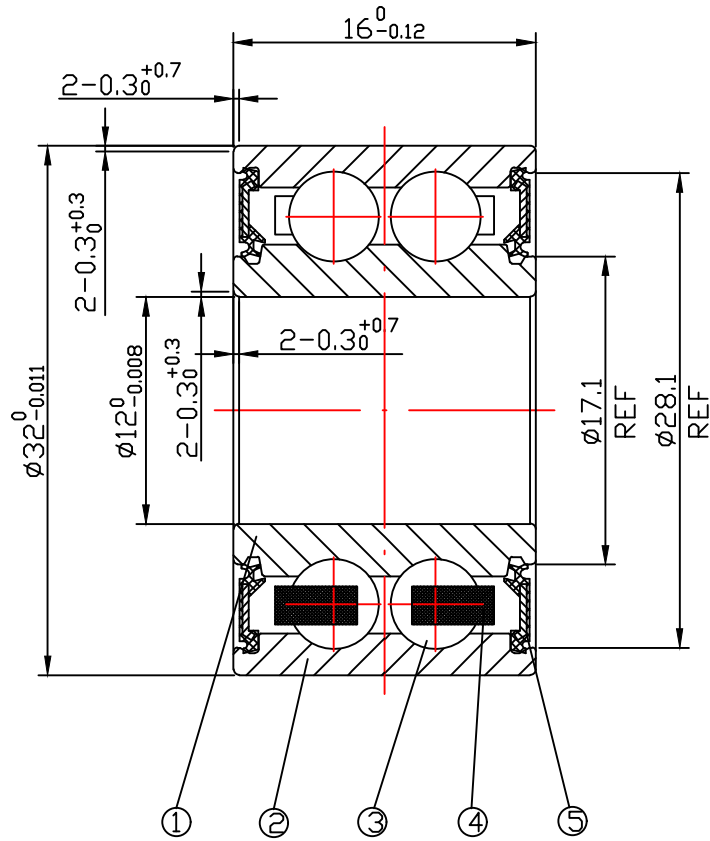


DRAWING

CUSTOMER :

accept stamp



issue stamp

BRAND: ZHY

ALL DIMENSIONS: mm

NOTIONS:

MARKER	PLACES	BEFORE	REVISER	REVISION DATE

NO.	PARTS	MATERIAL	QUANTITY	REMARKS	LOAD RATING STATIC:	CO _r : 6102 N
1	INNER RING	GCr15	1		LOAD RATING DYNAMIC:	Cr: 10466 N
2	OUTER RING	GCr15	1		RADIAL PLAY:	0.010-0.018
3	BALLS	GCr15	2*7-Ø5.953		TOLERANCES:	ABEC-1
4	RETAINER	NYLON	1		CUSTOMER SIZE:	
5	SEAL	NBR	2		SIZE:	5201-2RS
					DRAWING NO. :	QAJ/TR24198
					ZHY	NINGBO CHUANG HON YI BEARING CO.,LTD.

庄宏亿
2024-6-25
陈晶晶

庄宏亿
2024-6-25
陈丹央

庄宏亿
2024-6-25
周宝君

draw

check

approved

DATE:

Jun.25,2024