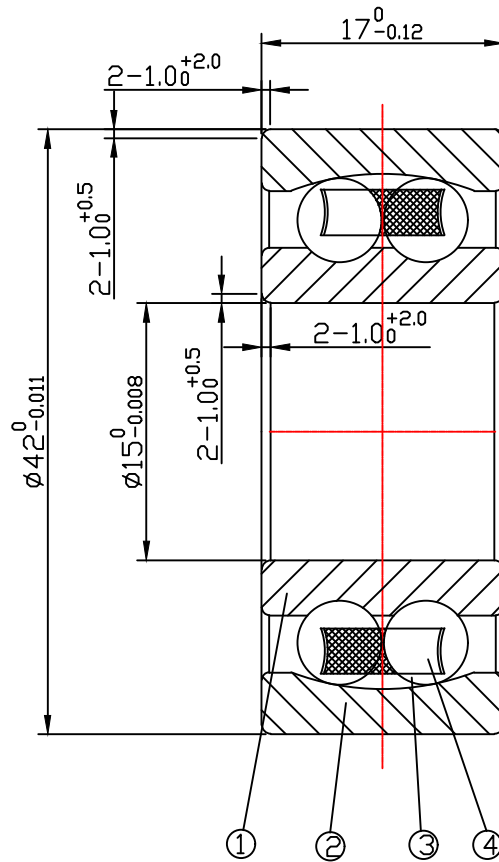


DRAWING

CUSTOMER :

accept stamp



issue stamp

BRAND: ZHY

ALL DIMENSIONS: mm

NOTIONS:

| MARKER | PLACES | BEFORE | REVISER | REVISION DATE |
|--------|--------|--------|---------|---------------|
| | | | | |
| | | | | |
| | | | | |

| NO. | PARTS | MATERIAL | QUANTITY | REMARKS |
|-----|------------|----------|--------------------|---------|
| 1 | INNER RING | GCr15 | 1 | |
| 2 | OUTER RING | GCr15 | 1 | |
| 3 | BALLS | GCr15 | 2*10- ϕ 6.747 | |
| 4 | RETAINER | NYLON | 1 | |

LOAD RATING STATIC: COr: 2730 N

LOAD RATING DYNAMIC: Cr: 11200 N

RADIAL PLAY:
C0 0.008-0.021

TOLERANCES: ABEC-1

CUSTOMER SIZE:

SIZE:

2302

DRAWING NO. : QAJ/TR24225

庄宏亿
2024-6-28
陈晶晶

庄宏亿
2024-6-28
陈丹央

庄宏亿
2024-6-28
周宝君

draw

check

approved

DATE:

Jun.28,2024

ZHY NINGBO CHUANG HON YI BEARING CO.,LTD.