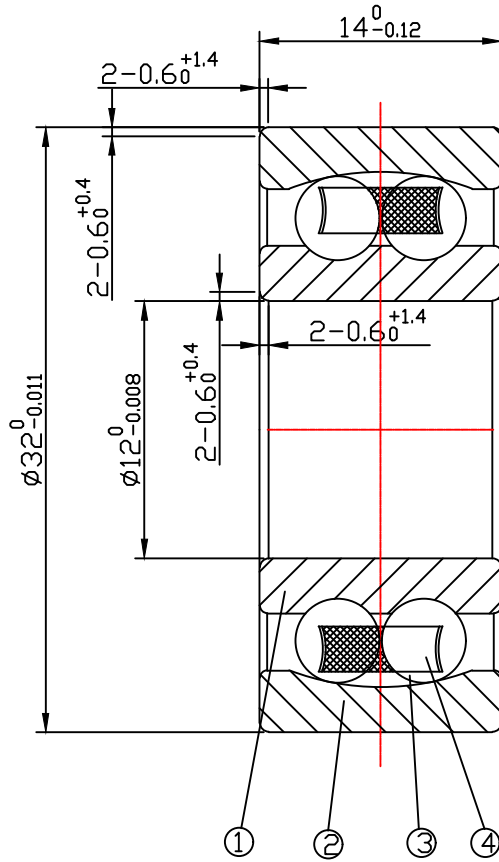


DRAWING

CUSTOMER :

accept stamp



issue stamp

BRAND: ZHY

ALL DIMENSIONS: mm

| MARKER | PLACES | BEFORE | REVISER | REVISION DATE |
|--------|--------|--------|---------|---------------|
| | | | | |
| | | | | |
| | | | | |

NOTIONS:

| NO. | PARTS | MATERIAL | QUANTITY | REMARKS |
|-----|------------|----------|------------------|---------|
| 1 | INNER RING | GCr15 | 1 | |
| 2 | OUTER RING | GCr15 | 1 | |
| 3 | BALLS | GCr15 | 2*8- $\phi 6.35$ | |
| 4 | RETAINER | NYLON | 1 | |

LOAD RATING STATIC: COr: 2120 N

LOAD RATING DYNAMIC: Cr: 9480 N

RADIAL PLAY: C0 0.006-0.019

TOLERANCES: ABEC-1

CUSTOMER SIZE:

SIZE: 2201

庄宏亿
2024-6-28
陈晶晶

庄宏亿
2024-6-28
陈丹央

庄宏亿
2024-6-28
周宝君

DRAWING NO. : QAJ/TR24228

draw

check

approved

DATE: Jun.28,2024

ZHY NINGBO CHUANG HON YI BEARING CO.,LTD.