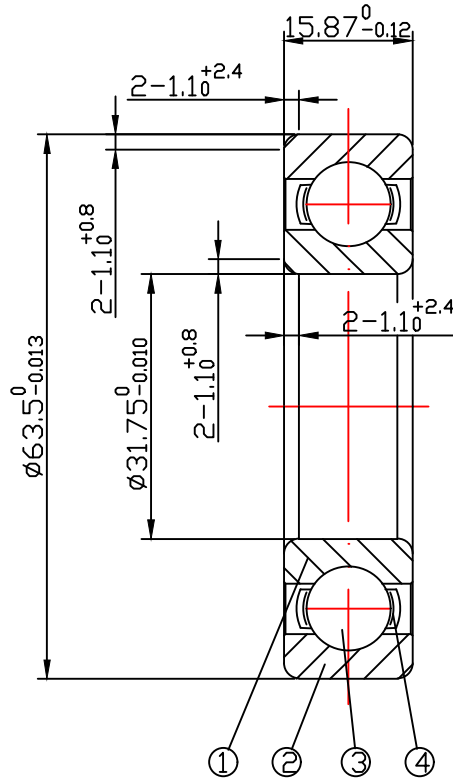


DRAWING

CUSTOMER :

accept stamp



issue stamp

BRAND: ZHY

ALL DIMENSIONS: mm

| MARKER | PLACES | BEFORE | REVISER | REVISION DATE |
|--------|--------|--------|---------|---------------|
| | | | | |
| | | | | |
| | | | | |

NOTIONS:

| NO. | PARTS | MATERIAL | QUANTITY | REMARKS |
|-----|------------|----------|-----------------|---------|
| 1 | INNER RING | GCr15 | 1 | |
| 2 | OUTER RING | GCr15 | 1 | |
| 3 | BALLS | GCr15 | 9- $\phi 9.525$ | |
| 4 | RETAINER | SPCC | 1 | |

LOAD RATING STATIC: COr: 11430 N

LOAD RATING DYNAMIC: Cr: 19470 N

RADIAL PLAY: C0: 0.005-0.020

TOLERANCES: ABEC-1

CUSTOMER SIZE:

SIZE: 1654

庄宏亿
2024-7-9
陈晶晶

庄宏亿
2024-7-9
陈丹央

庄宏亿
2024-7-9
周宝君

DRAWING NO. : QAJ/TR24393

draw

check

approved

DATE:

Jul.9,2024

ZHY NINGBO CHUANG HON YI BEARING CO.,LTD.