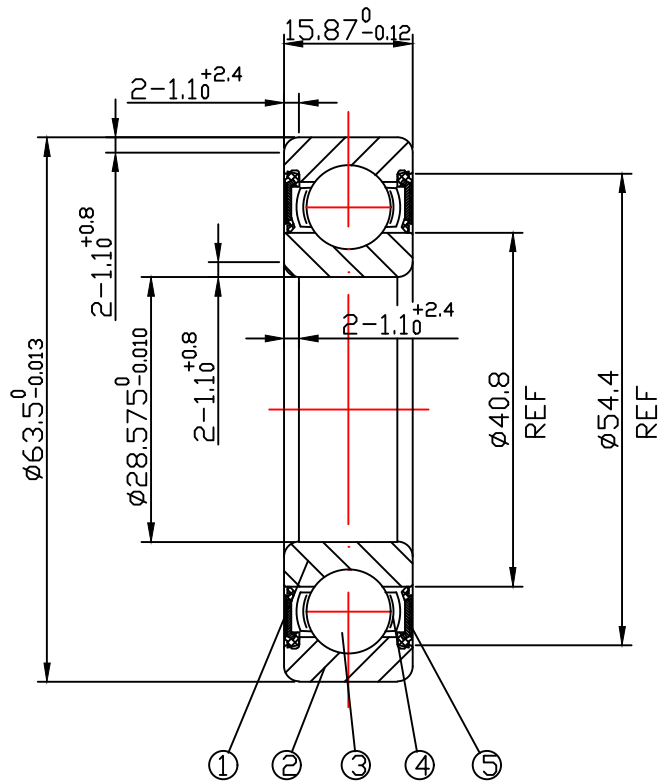


DRAWING

CUSTOMER :

accept stamp






issue stamp

BRAND: ZHY

ALL DIMENSIONS: mm

NOTIONS:

| MARKER | PLACES | BEFORE | REVISER | REVISION DATE |
|--------|--------|--------|---------|---------------|
| | | | | |
| | | | | |
| | | | | |

| NO. | PARTS | MATERIAL | QUANTITY | REMARKS | LOAD RATING STATIC: COr: 11430 N |
|--|------------|----------|-----------------|---------|---|
| 1 | INNER RING | GCr15 | 1 | | LOAD RATING DYNAMIC: Cr: 19470 N |
| 2 | OUTER RING | GCr15 | 1 | | RADIAL PLAY: C0: 0.005-0.020 |
| 3 | BALLS | GCr15 | 9- $\phi 9.525$ | | TOLERANCES: ABEC-1 |
| 4 | RETAINER | SPCC | 1 | | CUSTOMER SIZE: |
| 5 | SEAL | NBR | 2 | | SIZE: 1652-2RS |
| <div style="display: flex; justify-content: space-around;"> <div style="text-align: center;">  <p>庄宏亿 2024-5-18 陈晶晶</p> </div> <div style="text-align: center;">  <p>庄宏亿 2024-5-18 陈丹央</p> </div> <div style="text-align: center;">  <p>庄宏亿 2024-5-18 周宝君</p> </div> </div> | | | | | DRAWING NO. : QAJ/TR24129 |
| draw check approved | | | | | ZHY NINGBO CHUANG HON YI BEARING CO.,LTD. |
| DATE: May.18,2024 | | | | | |