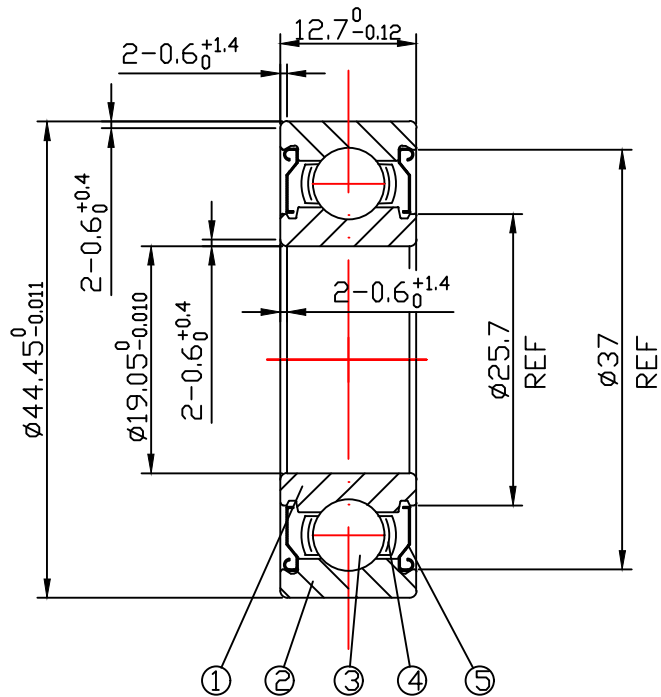


DRAWING

CUSTOMER :

accept stamp



issue stamp

BRAND: ZHY

ALL DIMENSIONS: mm

NOTIONS:

MARKER	PLACES	BEFORE	REVISER	REVISION DATE

NO.	PARTS	MATERIAL	QUANTITY	REMARKS	LOAD RATING STATIC: COr: 5080 N
1	INNER RING	GCr15	1		LOAD RATING DYNAMIC: Cr: 9380 N
2	OUTER RING	GCr15	1		RADIAL PLAY: C0: 0.005-0.020
3	BALLS	GCr15	9- ϕ 6.35		TOLERANCES: ABEC-1
4	RETAINER	SPCC	1		CUSTOMER SIZE:
5	SHIELD	SPTe	2		SIZE: 1635ZZ
<div style="display: flex; justify-content: space-around;"> <div style="text-align: center;"> <p>draw</p> </div> <div style="text-align: center;"> <p>check</p> </div> <div style="text-align: center;"> <p>approved</p> </div> </div>					DRAWING NO. : QAJ/TR23326
DATE: Nov.13,2023					ZHY NINGBO CHUANG HON YI BEARING CO.,LTD.