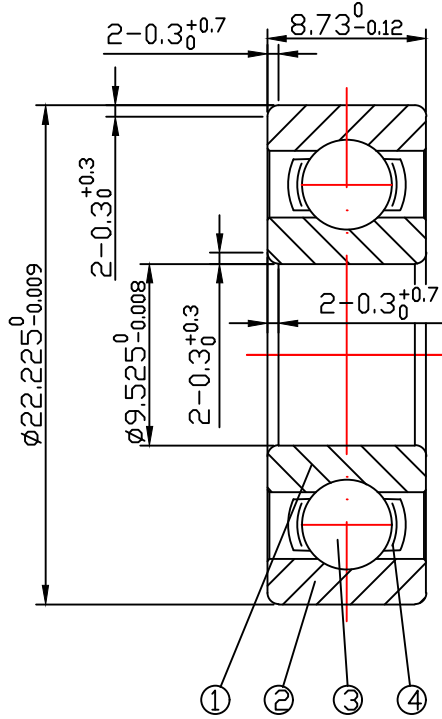


DRAWING

CUSTOMER :

accept stamp



issue stamp

BRAND: ZHY

ALL DIMENSIONS: mm

NOTIONS:

MARKER	PLACES	BEFORE	REVISER	REVISION DATE

NO.	PARTS	MATERIAL	QUANTITY	REMARKS	LOAD RATING STATIC: COr: 1270 N
1	INNER RING	GCr15	1		LOAD RATING DYNAMIC: Cr: 2690 N
2	OUTER RING	GCr15	1		RADIAL PLAY: C0: 0.002-0.013
3	BALLS	GCr15	9- $\phi 3.175$		TOLERANCES: ABEC-1
4	RETAINER	SPCC	1		CUSTOMER SIZE:
					SIZE: 1604
<div style="display: flex; justify-content: space-around;"> <div style="text-align: center;"> </div> <div style="text-align: center;"> </div> <div style="text-align: center;"> </div> </div>					DRAWING NO. : QAJ/TR24374
draw	check	approved	DATE: Jul.9,2024		
ZHY NINGBO CHUANG HON YI BEARING CO.,LTD.					