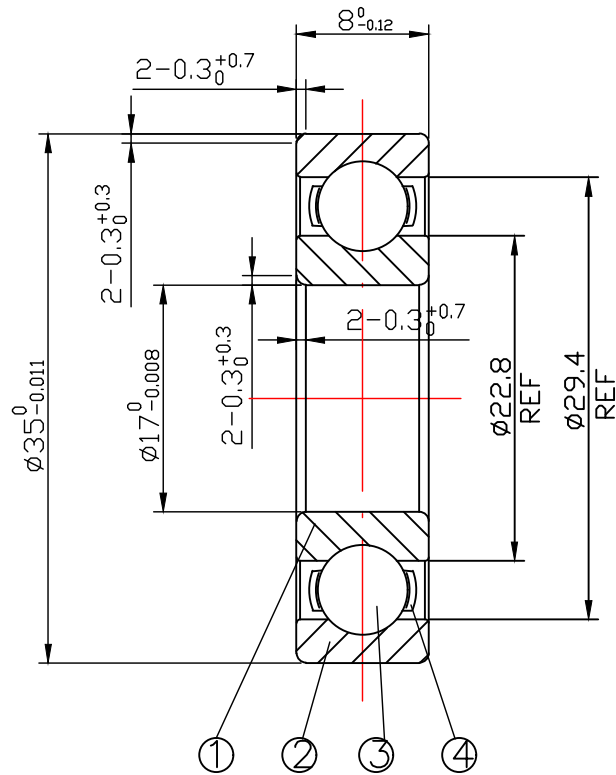


DRAWING

CUSTOMER :

accept stamp



issue stamp

BRAND: ZHY

ALL DIMENSIONS: mm

NOTIONS:

| MARKER | PLACES | BEFORE | REVISER | REVISION DATE |
|--------|--------|--------|---------|---------------|
|        |        |        |         |               |
|        |        |        |         |               |
|        |        |        |         |               |

| NO. | PARTS      | MATERIAL | QUANTITY         | REMARKS |
|-----|------------|----------|------------------|---------|
| 1   | INNER RING | GCr15    | 1                |         |
| 2   | OUTER RING | GCr15    | 1                |         |
| 3   | BALLS      | GCr15    | 10- $\phi 4.763$ |         |
| 4   | RETAINER   | SPCC     | 1                |         |

LOAD RATING STATIC: COr: 3260 N

LOAD RATING DYNAMIC: Cr: 6000 N

RADIAL PLAY:  
C0: 0.003-0.018

TOLERANCES: ABEC-1

CUSTOMER SIZE:

SIZE:  
16003

DRAWING NO. : QAJ/TR23234

庄宏亿  
2023-11-13  
陈晶晶

庄宏亿  
2023-11-13  
陈丹央

庄宏亿  
2023-11-13  
周宝君

draw

check

approved

DATE: Nov.13,2023

ZHY NINGBO CHUANG HON YI BEARING CO.,LTD.